



Project _____
 Item No. _____
 Model No. _____
 Quantity _____

CSI No. 114000

LOW HEIGHT EQUIPMENT STAND REFRIGERATOR - THREE SECTION



LHR-90-6D (remote)
 90" Overall Width, Six Drawers
 (shown with optional stainless steel
 equipment top)



LHR-90-6D-EM
 90" Overall Width, Six Drawers
 (shown with optional stainless steel
 flat top)

MODEL GUIDE

Model Number	Description
<input type="checkbox"/> LHR-78-6D-EM	96" Wide, Six Drawers, 9 Pans Front-to-Back
<input type="checkbox"/> LHR-78T-6D-EM	96" Wide, Six Drawers, 9 Pans Front-to-Back, Tall Body
<input type="checkbox"/> LHR-90-6D-EM	108" Wide, Six Drawers, 11 Pans Front-to-Back
<input type="checkbox"/> LHR-90T-6D-EM	108" Wide, Six Drawers, 11 Pans Front-to-Back, Tall Body
<input type="checkbox"/> LHR-96-6D-EM	114" Wide, Six Drawers, 12 Pans FB/SBS
<input type="checkbox"/> LHR-96T-6D-EM	114" Wide, Six Drawers, 12 Pans FB/SBS, Tall Body
<input type="checkbox"/> LHR-102-6D-EM	120" Wide, Six Drawers, 12 Pans Side-by-Side
<input type="checkbox"/> LHR-102T-6D-EM	120" Wide, Six Drawers, 12 Pans Side-by-Side, Tall Body
Options	Model Number Modification
<input type="checkbox"/> Remote Refrigeration	Delete suffix "EM" from model number

AGENCY APPROVALS:



Intertek



Intertek

STANDARD FEATURES:

Construction/Cabinet

- Exterior front and sides – heavy gauge stainless steel
- Exterior back and bottom – heavy gauge galvanized
- Stainless steel compressor housing
- Stainless steel front, drawer, rails and end-mount
- Heavy-duty 6" adjustable stainless steel legs
- Cabinet body is foamed-in-place minimum 2-1/2" thick polyurethane insulation
- Fully covered interior with welded radius corners for easy cleaning

Drawers

- Drawers hold 12" x 20" pans or fractional pans (pans by others)
- "T" models hold 6" deep pans in all drawers (standard models hold 6" pans in top drawers only)
- Energy saving condensate heater around drawer opening
- Reinforced top to support heavy restaurant equipment
- Rugged drawer construction
- Welded stainless steel drawer pull
- Specially insulated top for efficient cooling when used with cooking equipment
- Low cabinet height places cooking equipment at ergonomically convenient level
- Snap-in magnetic drawer gasket
- Impact-resistant PVC breaker strip

Refrigeration Package

- Slideout condensing unit - enables fast and easy service
- Expansion valve refrigeration system for superior recovery and temperature pulldown
- Low Pressure control – prevents compressor burnout in case of refrigerant loss
- R-513a, low GWP refrigerant for superior temperature recovery and pulldown
- Hot gas condensate evaporator quickly dissipates condensation using zero additional energy
- Receiver tank and service valves – allows reuse of refrigerant and enables rapid pulldown during times of peak demand
- Integrated sight glass – allows technicians to easily detect leaks or moisture without tools

Control Systems & Warranty Coverage

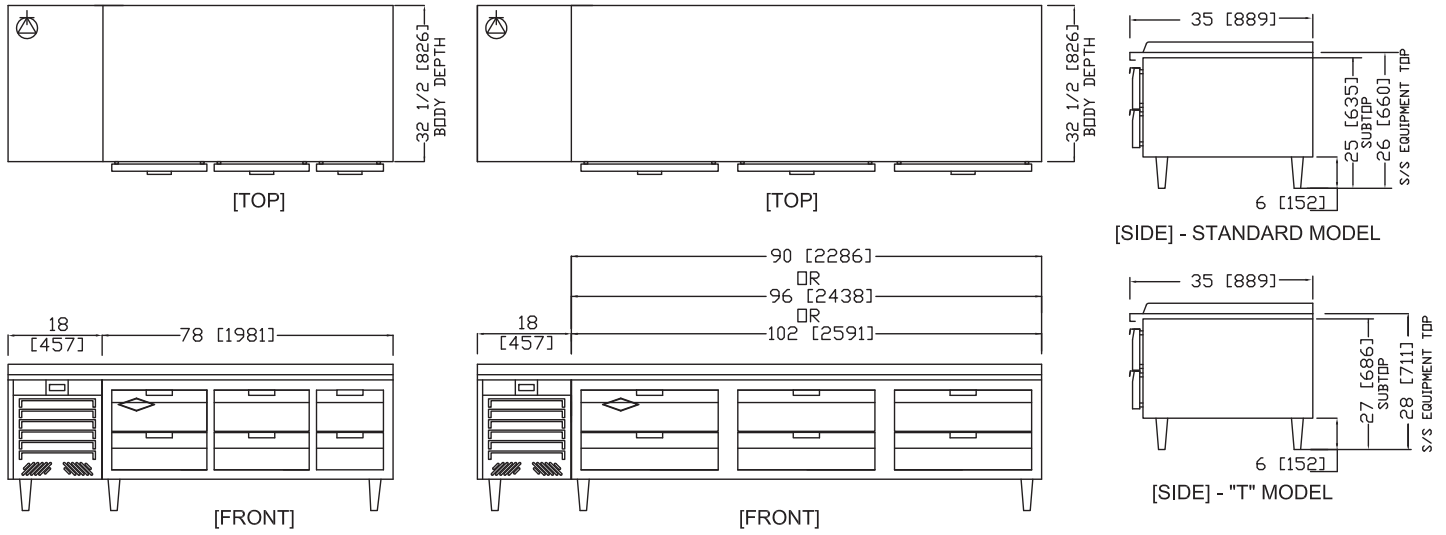
- Digital temperature control – easily adjust setpoint between 35-40°F
- Master power switch
- One 9 foot electrical cord
- Warranty: 5 year compressor, 5 year parts, 1 year labor

OPTIONS & ACCESSORIES:

- Stainless steel top (specify equipment or marine edge type)
- Stainless steel back ___ bottom ___ (specify either or both)
- Digital temperature control & solenoid for remote models
- Refrigerant options for remote models-please specify refrigerant type
- Stainless steel curb base (specify 4" or 6" high)
- Temperature alarm
- 6" front locking casters in lieu of legs (no charge)
- 4" front locking casters in lieu of legs
- 5" and 4" casters
- 6" seismic legs
- Correctional facilities package
- Water-cooled condensing unit
- Door in lieu of drawers (specify hinging)



LOW HEIGHT EQUIPMENT STAND REFRIGERATOR - THREE SECTION



ALL DIMENSIONS IN INCHES EXCEPT [] IN MILLIMETERS

PRODUCT DATA	LHR-78	LHR-90	LHR-96	LHR-102
KEY DIMENSIONS				
Width, Self-Contained (overall)	96.0"	108.0"	114.0"	120.0"
Width, Remote (overall)	78.0"	90.0"	96.0"	102.0"
Depth (overall)	34.5"	34.5"	34.5"	34.5"
Height, Standard Model (overall inc. legs)	26.0"	26.0"	26.0"	26.0"
Height, "T" Model (overall inc. legs)	28.0"	28.0"	28.0"	28.0"
CAPACITY				
Pan Capacity, 12" x 20" Pans (by others)	9	11	12	12
ELECTRICAL				
Voltage (dedicated circuit required)	115	115	115	115
Amperage (self-contained)	6.5	6.5	8.7	8.7
Amperage (remote refrigeration)	4.2	4.3	5.1	5.1
BTU requirement*, remote	1500	1619	2099	2180
NEMA Plug Configuration (self-contained only)	5-15P	5-15P	5-15P	5-15P
Horsepower (self-contained)	1/4	1/4	1/3	1/3
SHIPPING				
Ship Weight, Self-Contained (lbs.)	730	795	830	875
Ship Weight, Remote (lbs.)	610	675	710	755
Ship Volume, Self-Contained (cu. ft.)	84	94	99	104
Ship Volume, Remote (cu. ft.)	69	79	84	89
Crated Dimensions, Self-Contained (32" H)	102" W x 42" D	114" W x 42" D	120" W x 42" D	126" W x 42" D
Crated Dimensions, Remote (32" H)	84" W x 42" D	96" W x 42" D	102" W x 42" D	108" W x 42" D

*90°F ambient, 20°F evaporator, 20' max. line length

Data is for standard models: options may change specifications.

UTILITY REFRIGERATOR

12160 Sherman Way • North Hollywood, CA 91605

Telephone: (818) 764-6200 • Fax: (818) 764-6211

www.utilityrefrigerator.com

DUE TO CONTINUOUS PRODUCT IMPROVEMENTS, SPECIFICATIONS ARE SUBJECT TO CHANGE WITHOUT NOTICE.

©/™/® Utility Refrigerator



WARNING - This product can expose you to chemicals including Di(2-ethylhexyl)phthalate (DEHP), which is [are] known to the State of California to cause cancer and birth defects or other reproductive harm. For more information go to www.P65Warnings.ca.gov

UR-LHR3